

Manual of proper gluing and set-up of containers in game box for ARK NOVA – Premium

Crowd out gently elements from the tail – it is recommended to use a paper knife to cut connection points.

Prepare only elements that must be linked together.

Do not cut out all the pieces at the same time as you may stir them and make a mistake.

Some elements are designed in such a way that it is impossible to glue them wrongly.
If you have some problems, try to rotate the element – it should help.
Be attentive – some pieces differ slightly from each other.

It is recommended to use wood glue.

If you have some doubts or you need help, please contact us by e-mail or our Facebook profile – reDrewno.

Different kinds of containers are marked by letters and numbers.

The order of gluing was shown by lines from left to right and from top to bottom.

Elements with engravings should be glued so that they are visible during the use of the insert.

After gluing, leave the insert for a minimum of 24 hours until fully dry. Then arrange the elements according to the engravings on the containers and the instructions.

Container for Base Conservation Project Cards, Action Cards, Final Scoring Cards

3x Container for ZOO cards

Container for money tokens
Container for Unique Buildings tiles

5x Container for wooden animal tokens

4x Container for wooden components for each player

Container for tiles and tokens X, Kiosk/Pavilion, Multiplier, Venom, Constriction
Container for tokens: Universities and zoos partners
Containers for 2-Space Enclosure tiles tokens and Bonus tiles
Container for Special Enclosures tiles

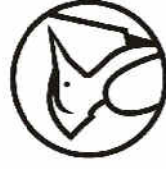
Containers for 1-Space Enclosure tiles,
3-Space Enclosure tiles and Break token

Place the Player Maps and the Association board in the lower part of the insert.

Then put the game board and the rolebook.

Remark: remove gently protective foil from plexiglass latches on both sides.

We invite you to visit our shop and check photos with the elements and arrangement of the insert in the box.

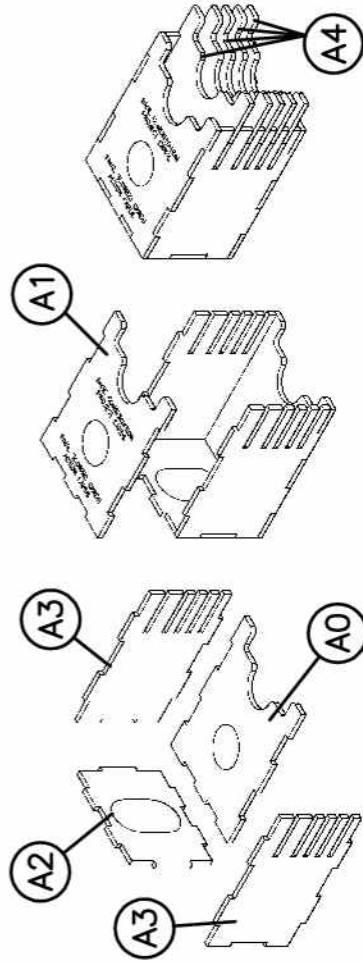


Thank you for buying of our insert.
We wish you only successful games!
reDrewno.pl Shop Team
sklep@redrewno.pl

reDrewno

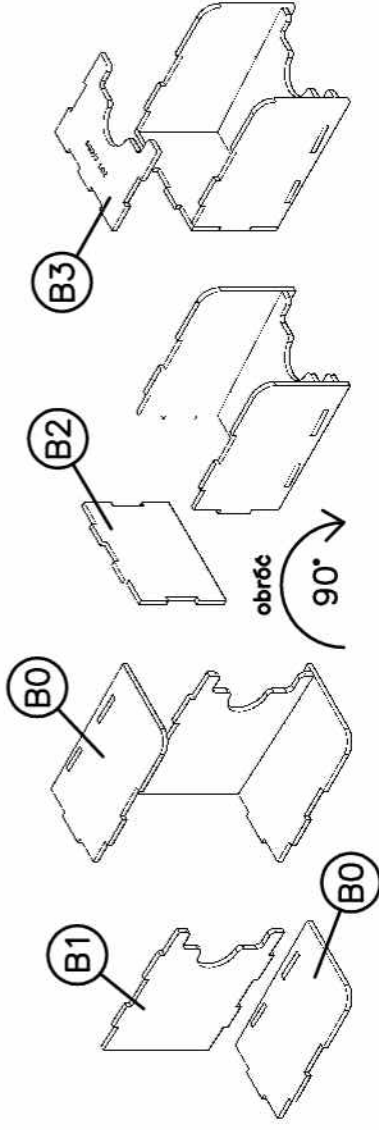
Manual of proper gluing of containers – ARK NOVA – Premium – part 1

Container for Base Conservation Project Cards,
Action Cards, Final Scoring Cards

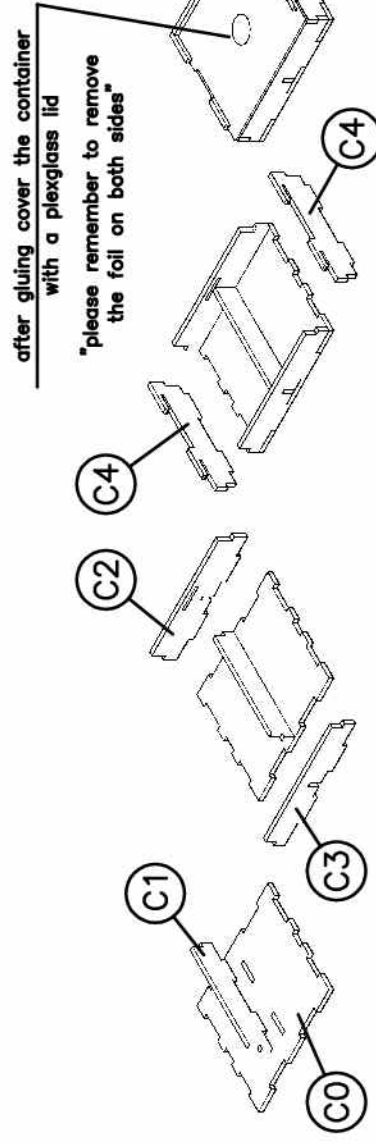


A3 asymmetrical elements – try on before applying glue

3x Container for ZOO cards



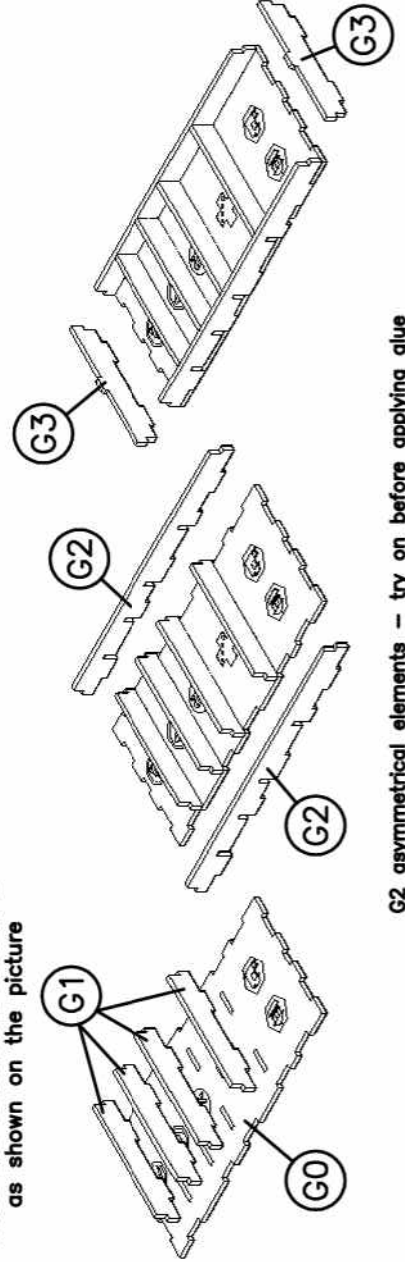
2x Container for wooden animal tokens



C4 asymmetrical elements – try on before applying glue

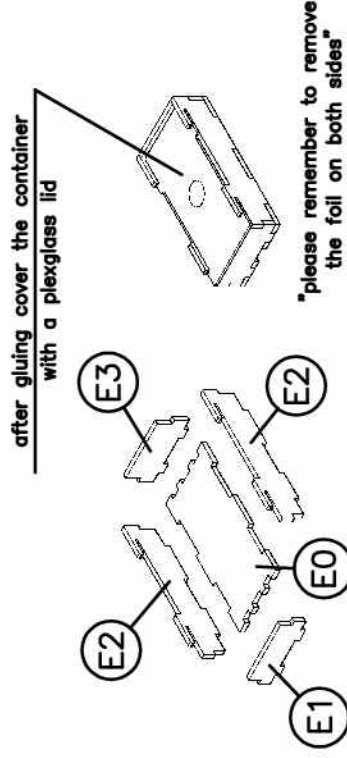
Container for tiles and tokens X, Kiosk/Pavilion, Multiplier, Venom, Construction

Place the bottom G0 of box G
as shown on the picture



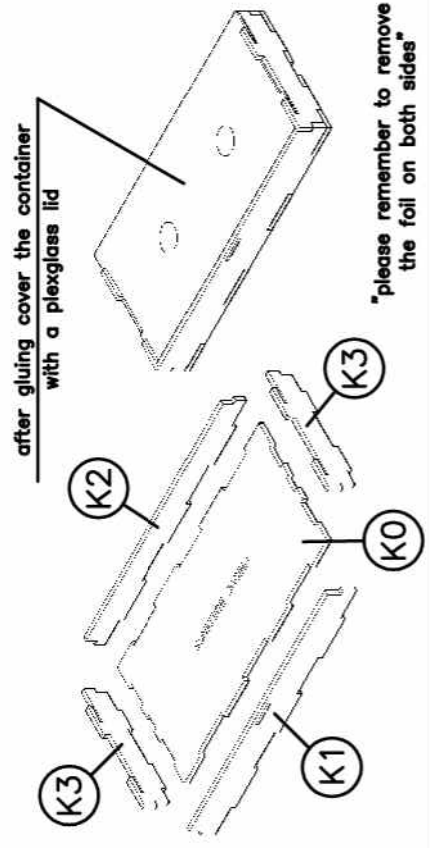
G2 asymmetrical elements – try on before applying glue

Container for wooden animal tokens



E1 asymmetrical elements – try on before applying glue

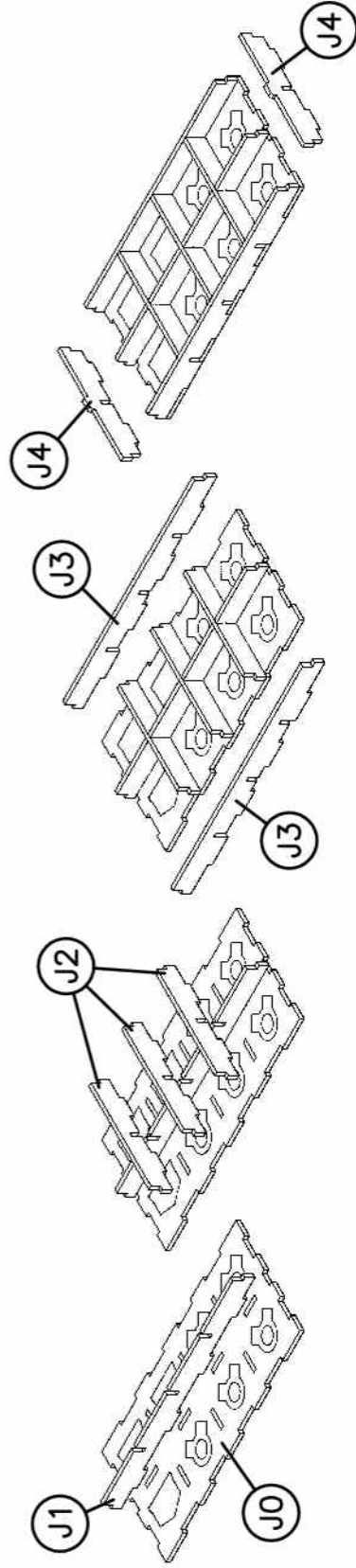
Container for Unique Buildings tiles



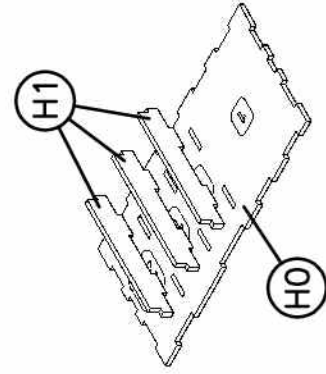
please remember to remove
the foil on both sides

Manual of proper gluing of containers – ARK NOVA – Premium – part 2

Container for tokens: Universities and zoos partners

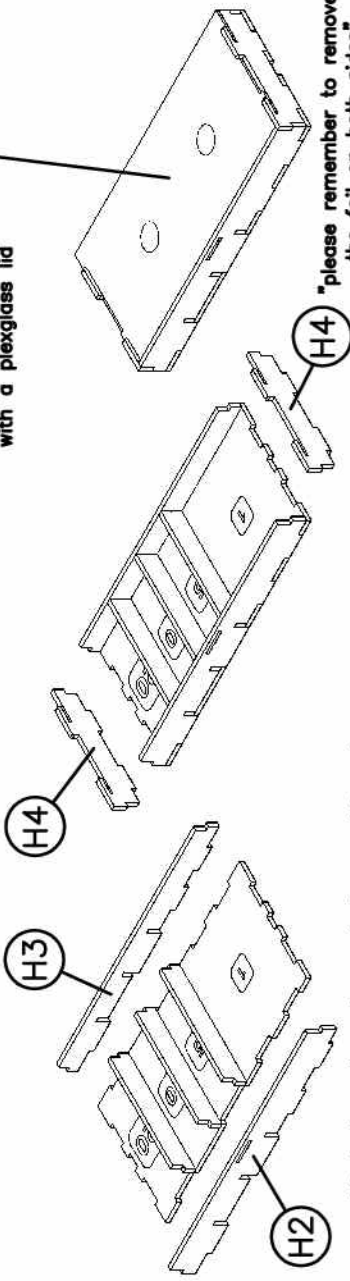


Place the bottom H0 of box H as shown on the picture



Container for money tokens

after gluing cover the container with a plexiglass lid

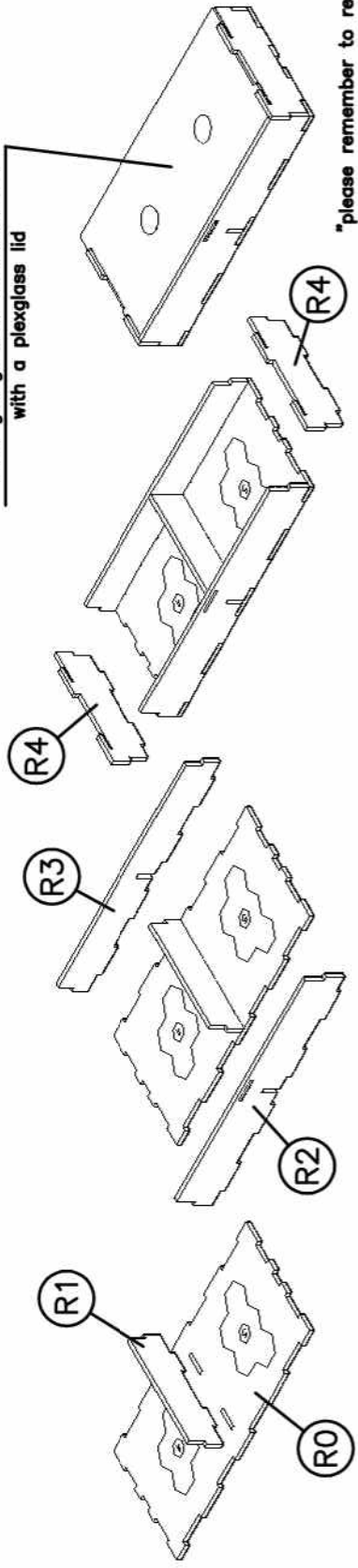


"please remember to remove the foil on both sides"

H2, H3 asymmetrical elements – try on before applying glue

Containers for tiles: 4-Space Enclosure, 5-Space Enclosure

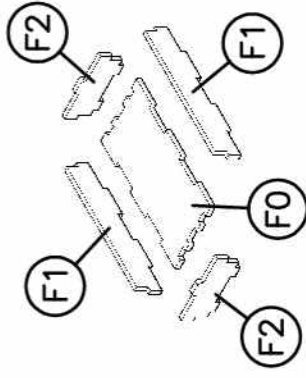
after gluing cover the container with a plexiglass lid



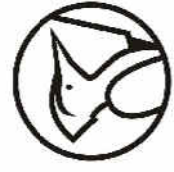
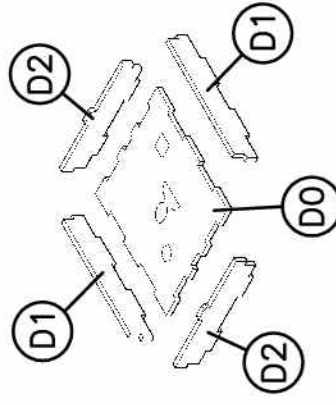
"please remember to remove the foil on both sides"

R2, R3 asymmetrical elements – try on before applying glue

2x Container for wooden animal tokens



4x Container for wooden components for each player

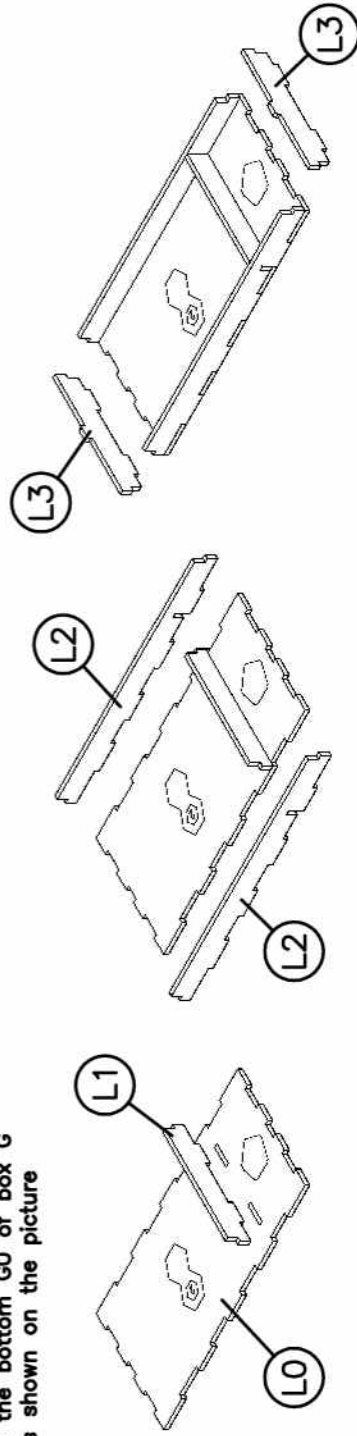


redrewno

Manual of proper gluing of containers – ARK NOVA – Premium – part 3

Containers for 2-Space Enclosure tiles tokens and Bonus tiles

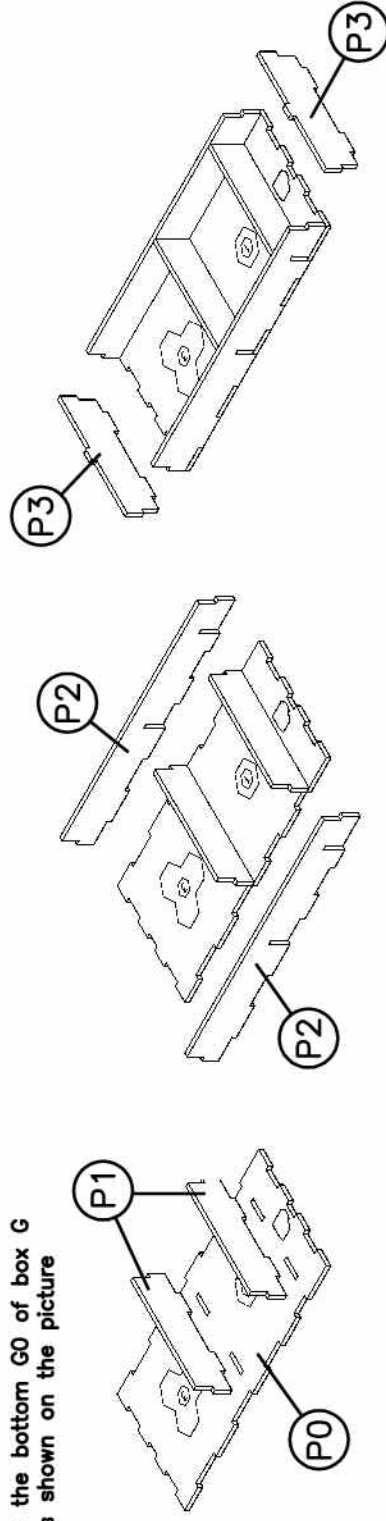
Place the bottom G0 of box G as shown on the picture



P2 asymmetrical elements – try on before applying glue

Containers for 1-Space Enclosure tiles, 3-Space Enclosure tiles and Break token

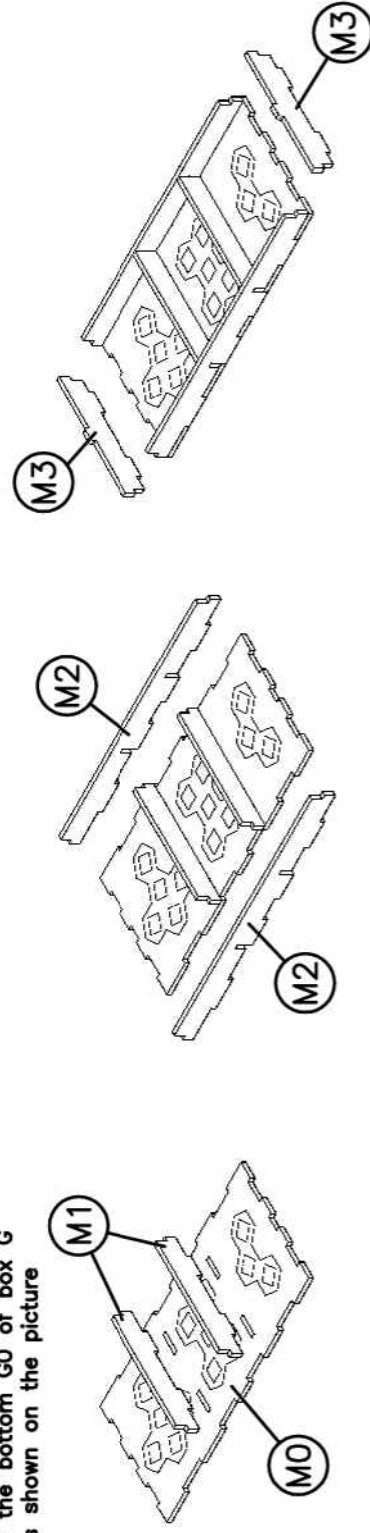
Place the bottom G0 of box G as shown on the picture



P2 asymmetrical elements – try on before applying glue

Container for Special Enclosures tiles

Place the bottom G0 of box G as shown on the picture



M2 asymmetrical elements – try on before applying glue



reDrewno

ARK NOVA - T1

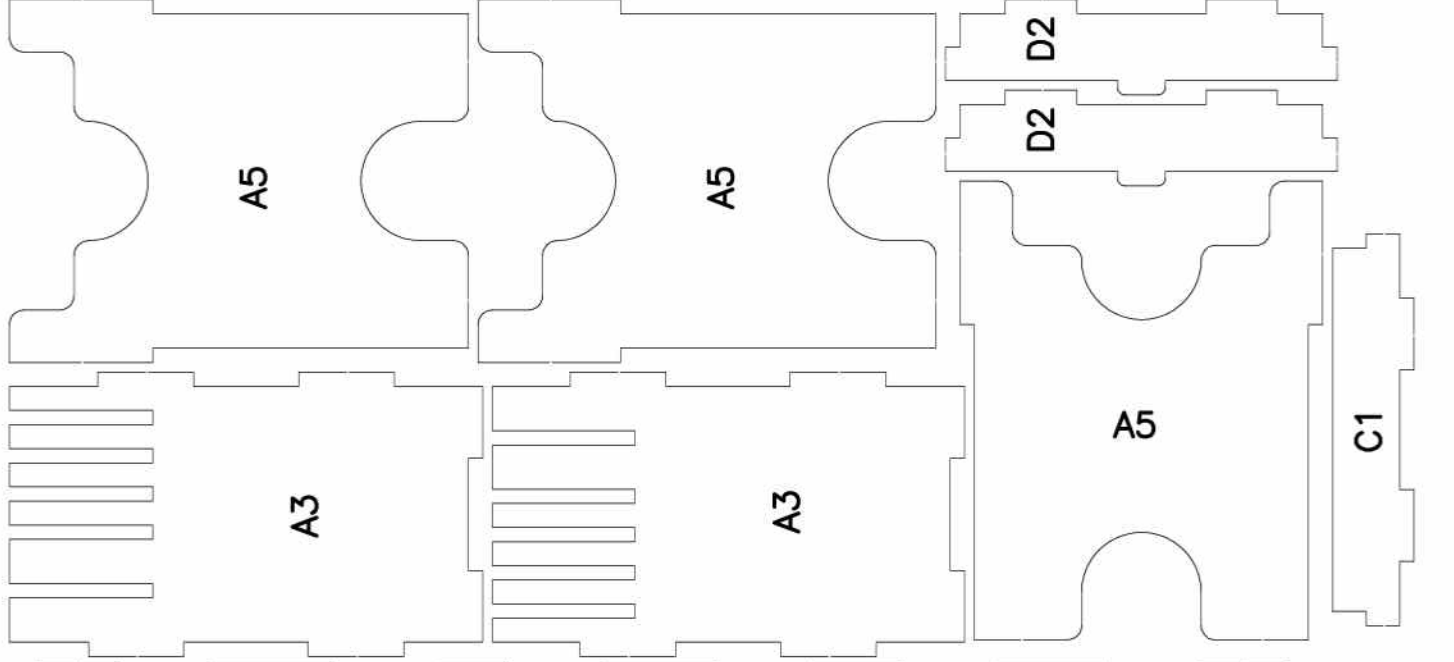
BASE CONSERVATION
PROJECT CARDS

A4

FINAL SCORING CARDS
ACTION CARDS

A2

A0



ARK NOVA - T2

B1

B1

B1

B2

B2

B2

ZOO CARDS

B3

ZOO CARDS

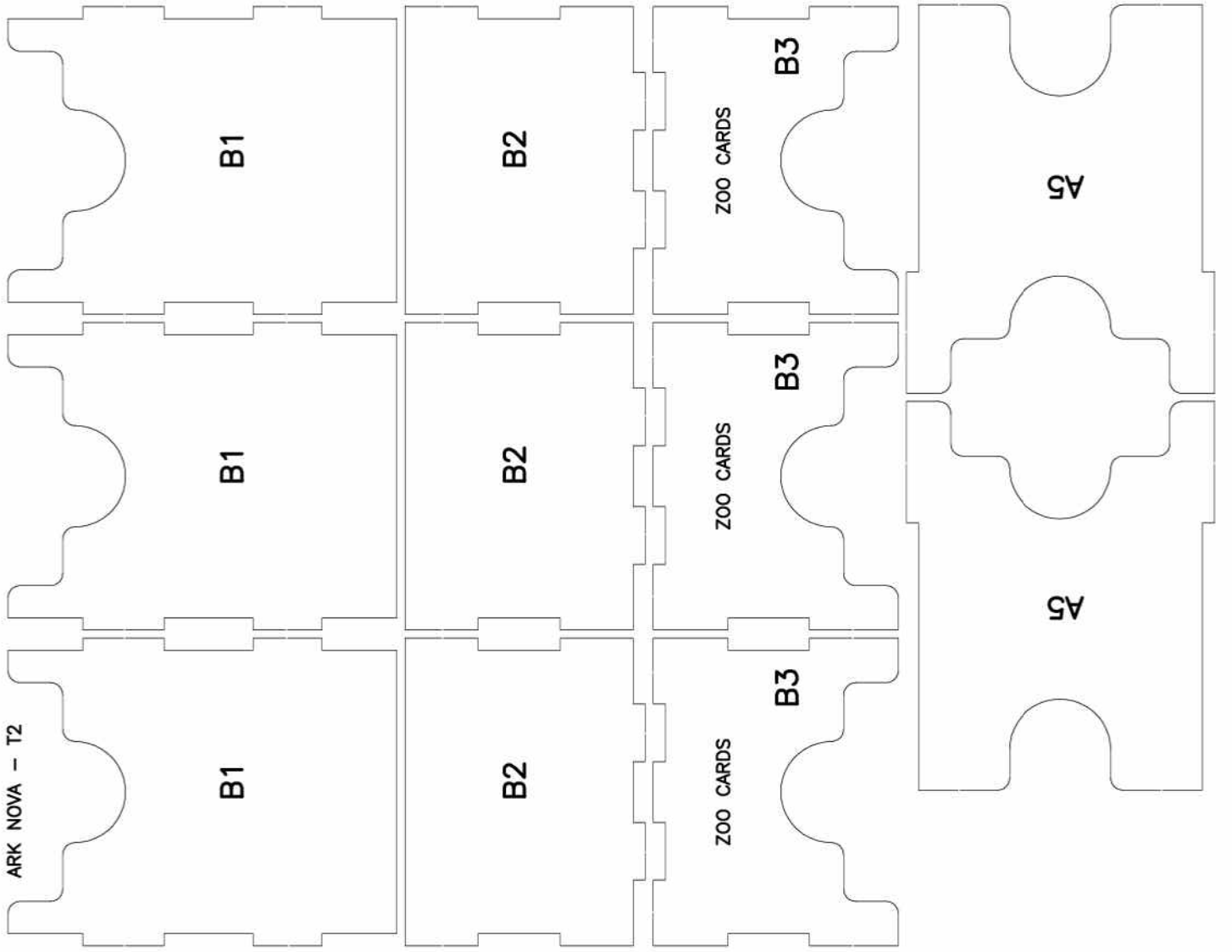
B3

ZOO CARDS

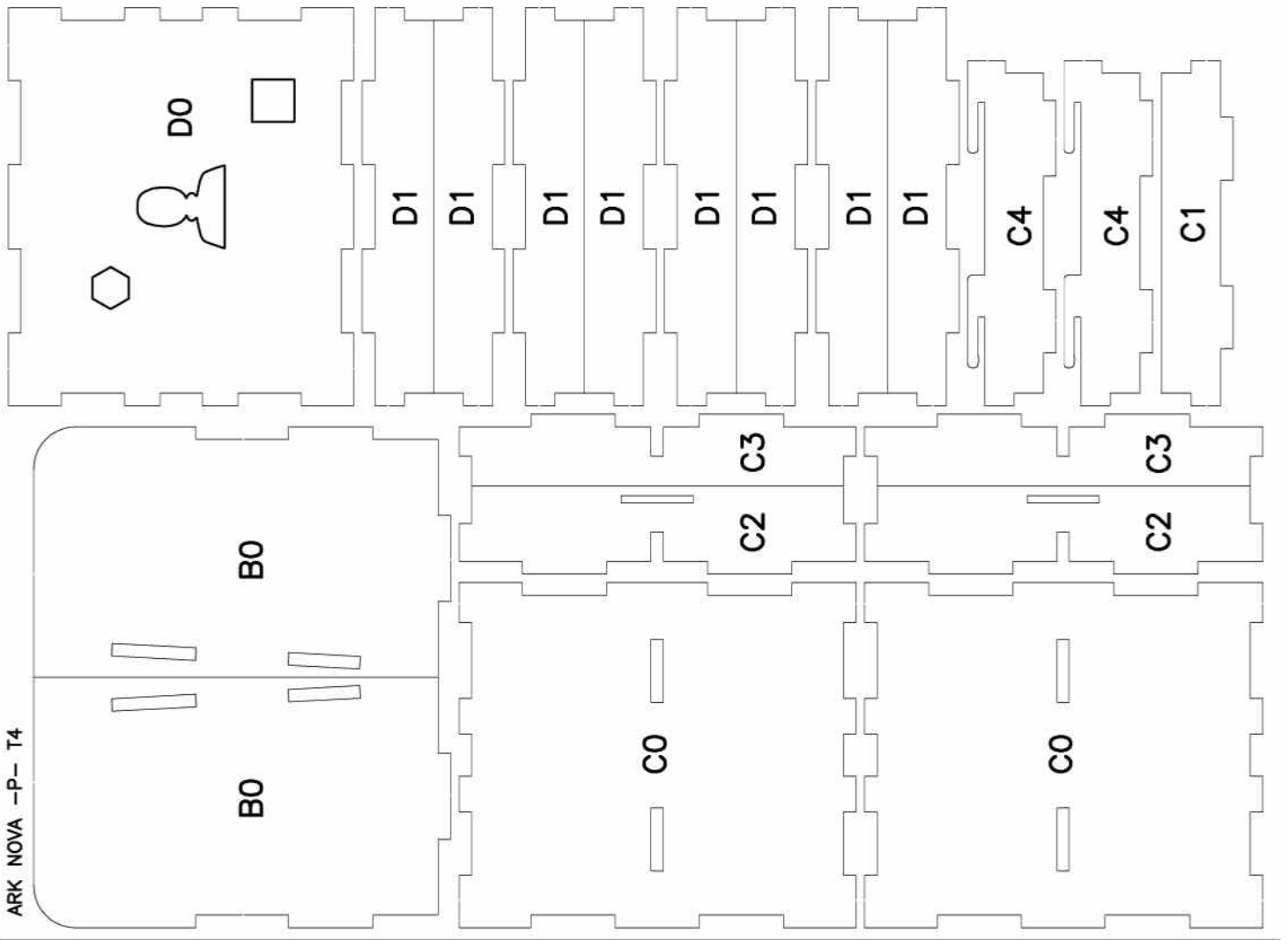
B3

A5

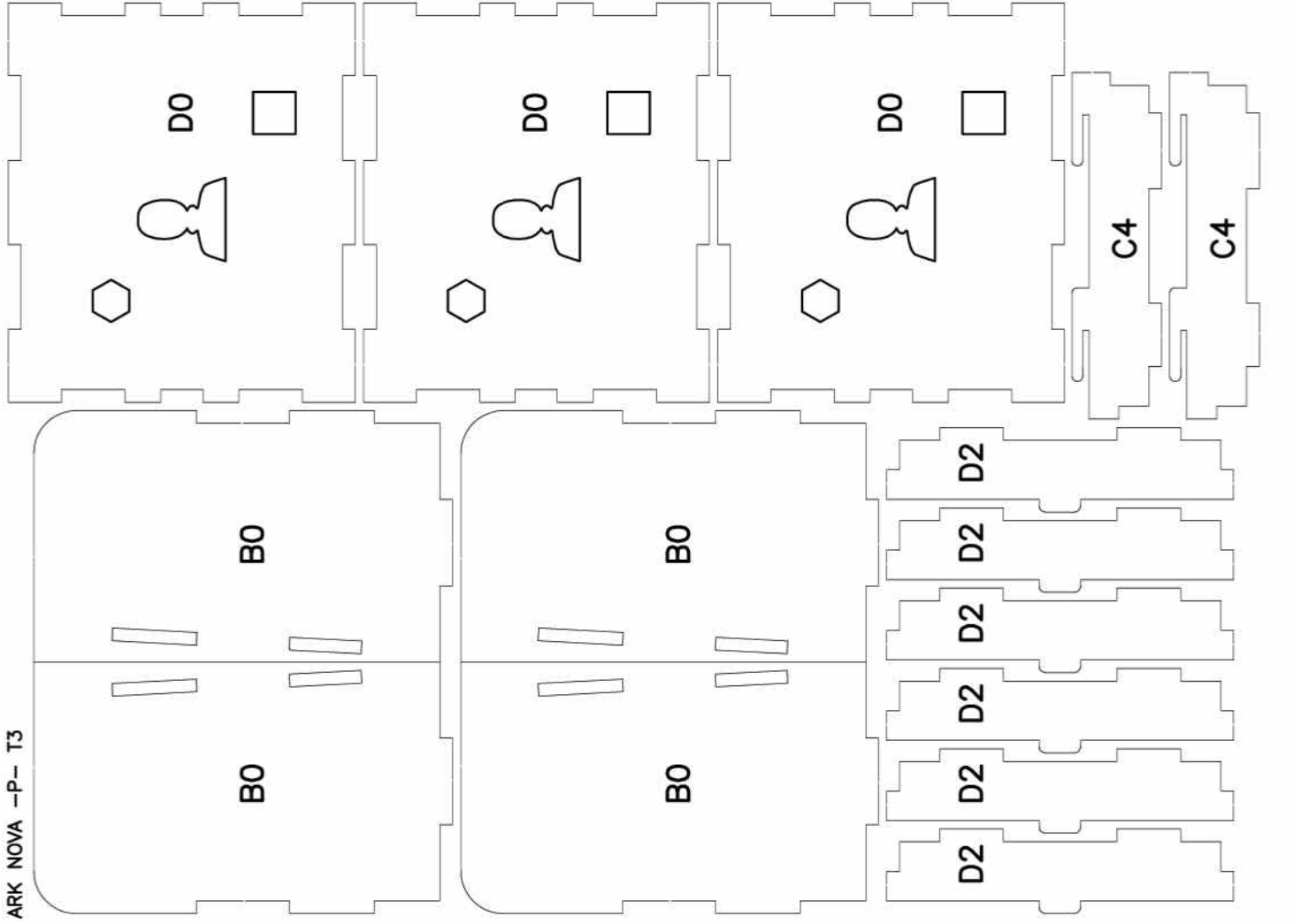
A5



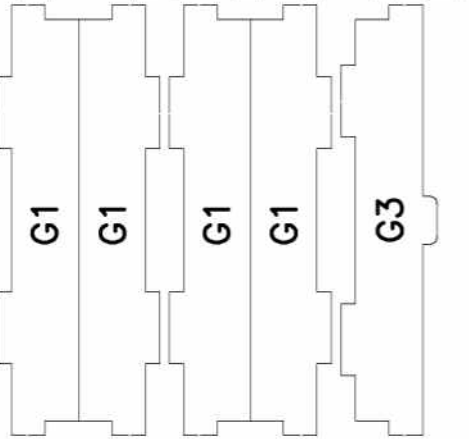
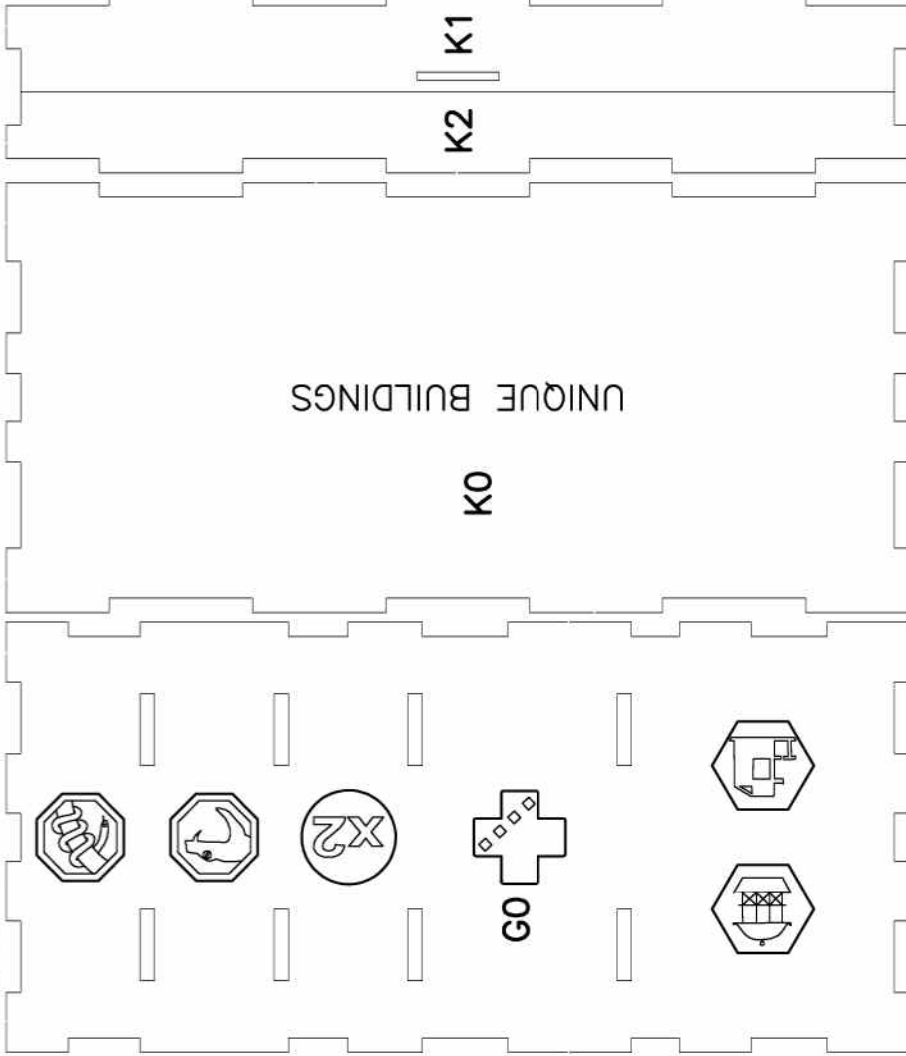
ARK NOVA -P- T4



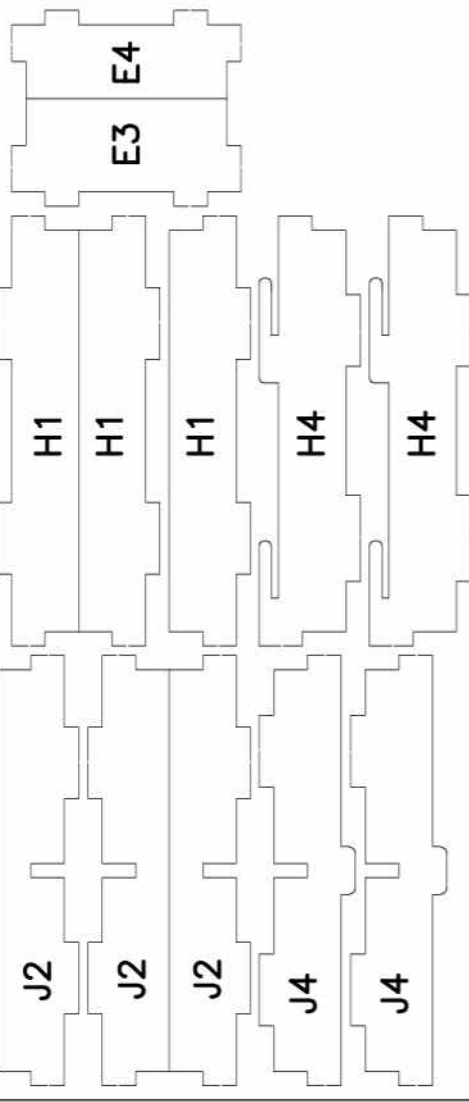
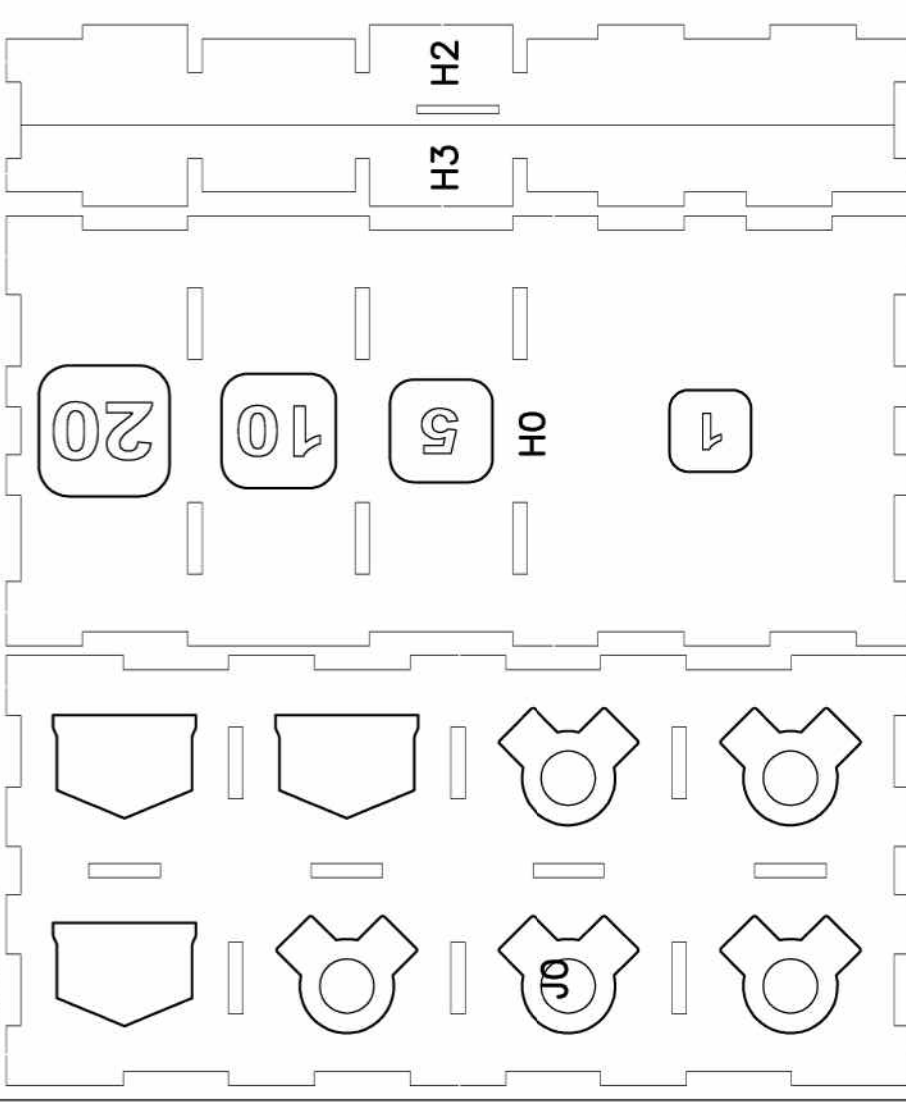
ARK NOVA -P- T3



ARK NOVA - T5



ARK NOVA - T6



ARK NOVA -P- T7

L2 L2



L0



L1

F2 F2

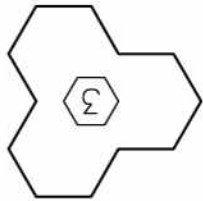
L3 L3

P3

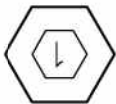
F2 F2

K3

ARK NOVA -P- T8



P0

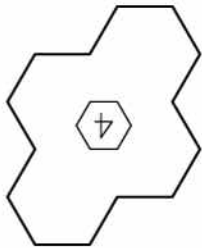


P1

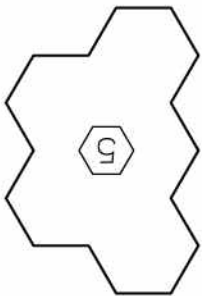
P1

P3

K3



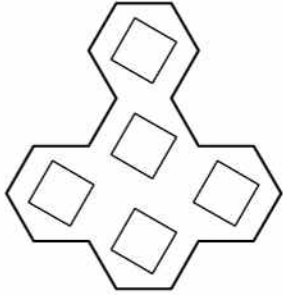
R0



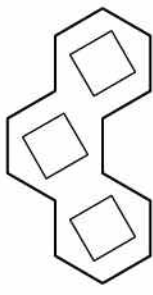
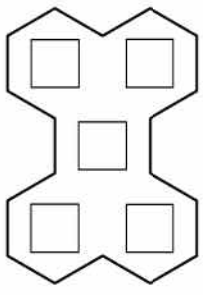
R4

R4

R1



M0



M1

M1

M3

M3

G3

ARK NOVA -P- T9

