

Manual of proper gluing and set-up of containers in game box for GOLEM

Set-up of containers – step 5 – preceding steps on the next page

Crowd out gently elements from the tail – it is recommended to use a paper knife to cut connection points.

Prepare only elements that must be linked together.

Do not cut out all the pieces at the same time as you may stir them and make a mistake.

Some elements are designed in such a way that it is impossible to glue them wrongly.

If you have some problems, try to rotate the element – it should help. Be attentive – some pieces differ slightly from each other.

It is recommended to use wood glue.

If you have some doubts or you need help, please contact us by e-mail or our Facebook profile – reDrewno.

Different kinds of containers are marked by letters and numbers.

The order of gluing was shown by lines from left to right and from top to bottom.

Elements with engravings should be glued so that they are visible during the use of the insert.

After gluing, leave the insert for a minimum of 24 hours until fully dry. Then arrange the elements according to the engravings on the containers and the instructions.

Plastic tray – IMPORTANT – with a flat surface on the outside of the box

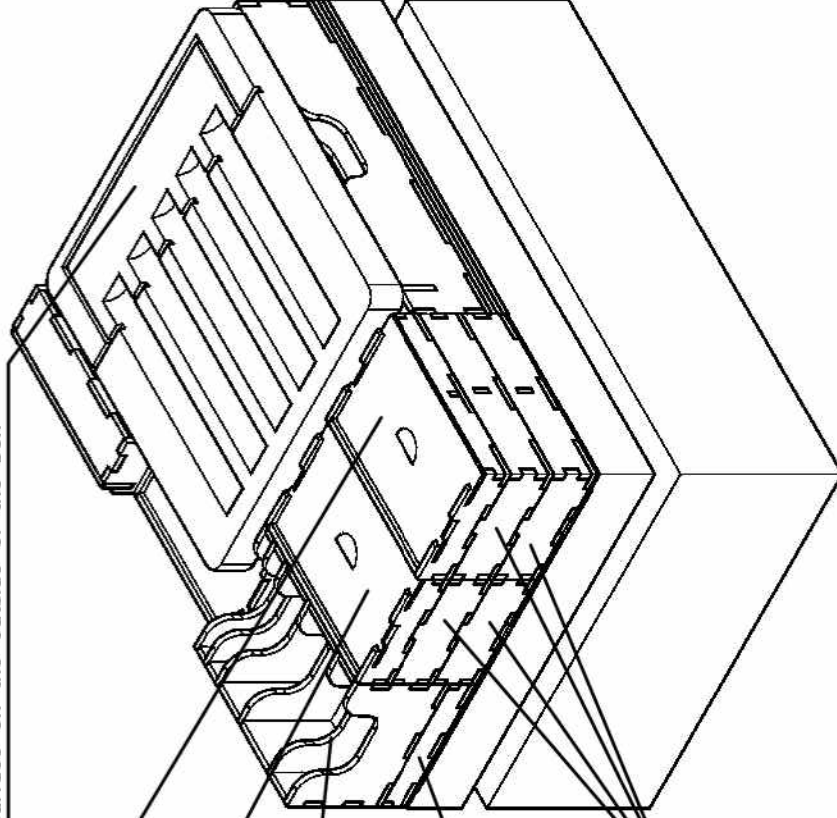
Container for tiles: Menorah, Pass and Automa components

Container for Coin tokens

Container for cards

Container for Gold pieces

4x Container for Player components

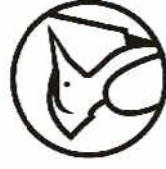


Place the main board, Player boards and rulebooks on the bottom of the box first.

Remark: remove gently protective foil from plexiglass latches on both sides.

We invite you to visit our shop and check photos with the elements and arrangement of the insert in the box.

Thank you for buying of our insert.
We wish you only successful games!
reDrewno.pl Shop Team
sklep@redrewno.pl



reDrewno

Set-up of containers – step 1

Securing element for the Synagogue and for the Synagogue Board

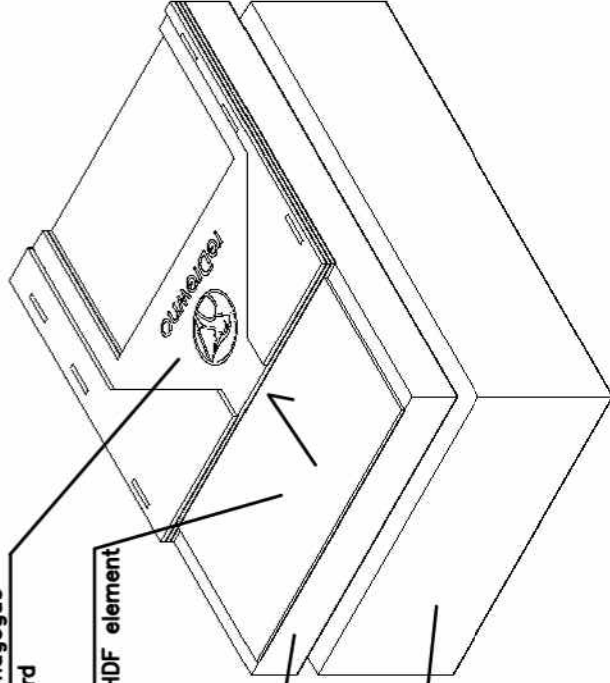
Synagogue Board

Slide the Board under the HDF element

Main Board

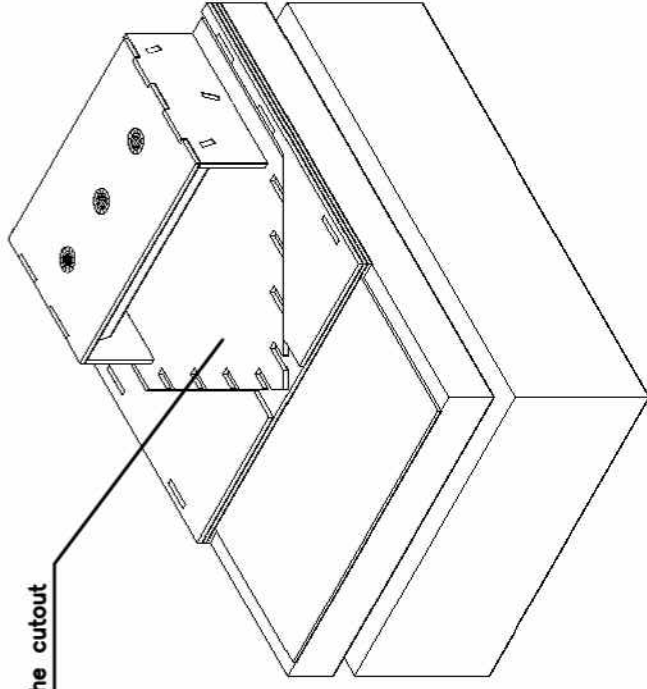
Player Boards
Rolebooks

Box game



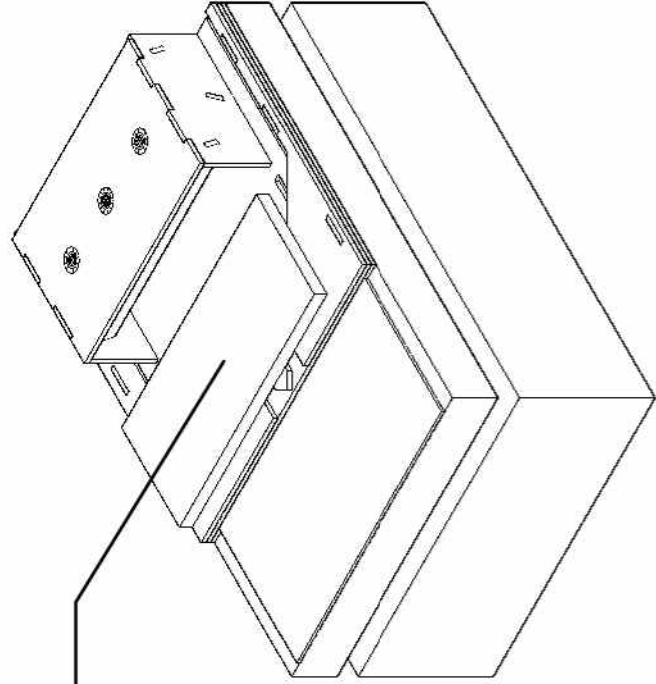
Set-up of containers – step 2

Place the Synagogue in the cutout



Set-up of containers – step 2

4x Artifact tiles



Set-up of containers – step 4

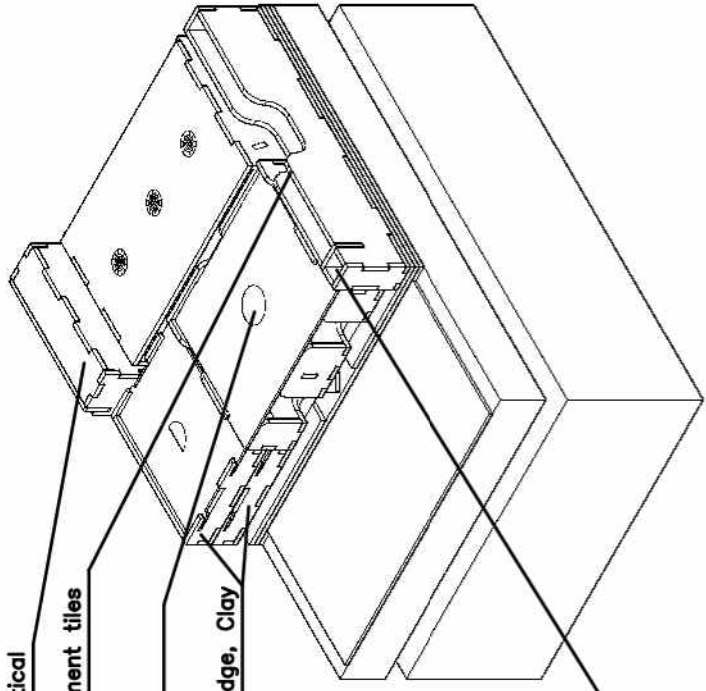
Container for Marbles – vertical

Container for Study Development tiles and Resource track

Container for tiles: Starting, Neighborhood and Action

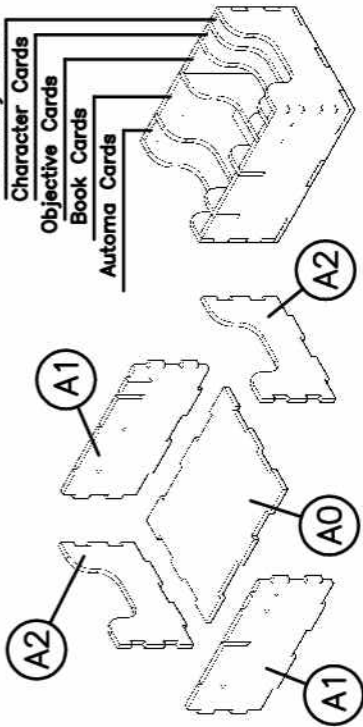
Container for tokens: Knowledge, Clay

Important!!!!
The "hole" on that side



Manual of proper gluing of containers – GOLEM – part 1

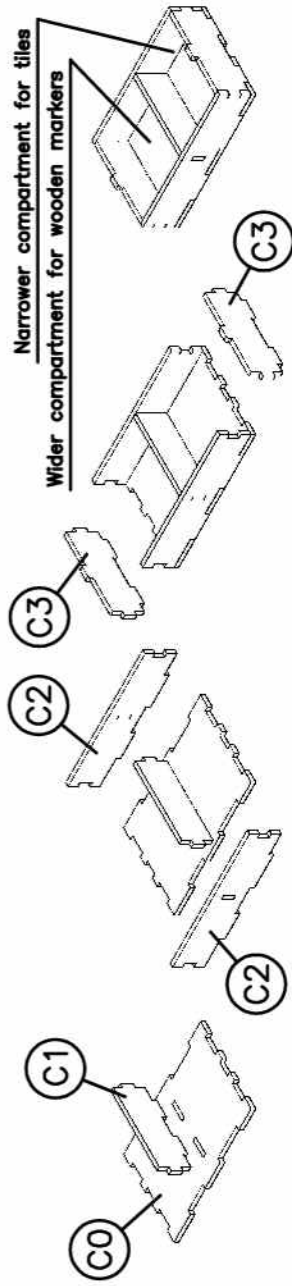
Container for cards



A1 asymmetrical elements – try on before applying glue
insert dividers A3 into the container
try on before applying glue

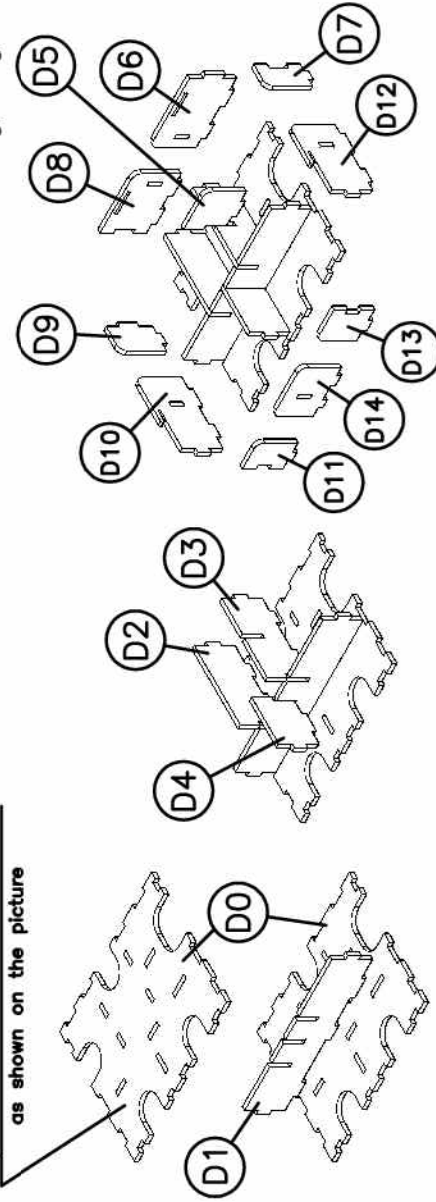
4x Container for Player components

Tiles: 6 Golem Development, 6x Artifacts Development, 5x "small" Study Development
Wood markers: 1x Rabbi, 3x Students, 6x Golems, 4x Player markers



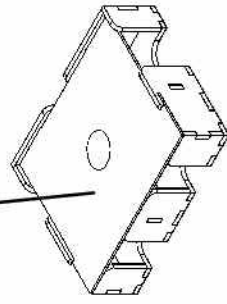
place the bottom D0 of box D
as shown on the picture

Container for tiles: Starting, Neighborhood and Action



Split Neighborhood tiles

after gluing cover the container
with a plexiglass lid

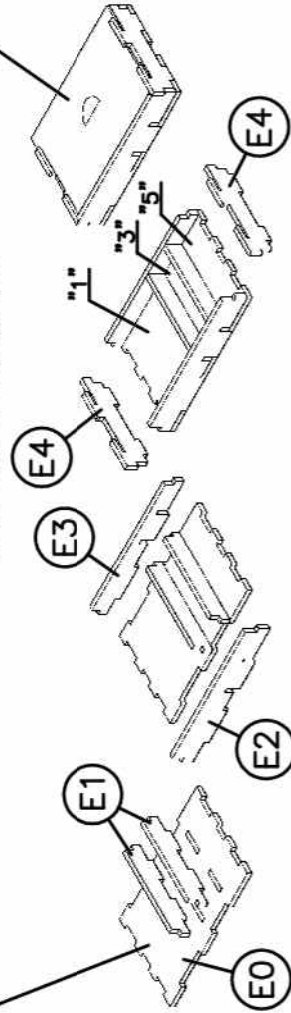


Container for Coin tokens

place the bottom E0 of box E
as shown on the picture

after gluing cover the container
with a plexiglass lid

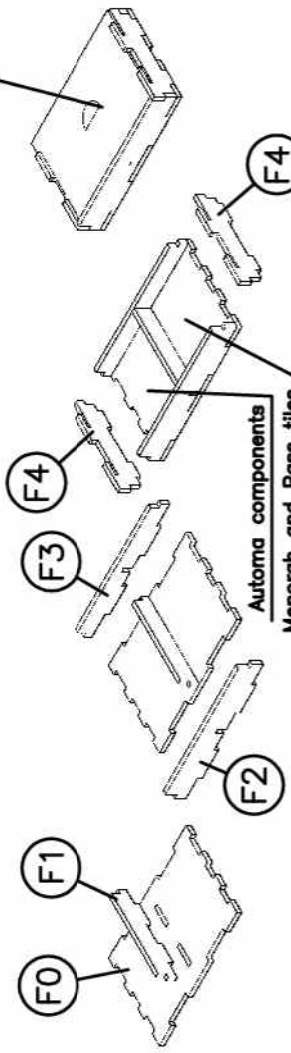
Divide coins by denomination



E2, E3, E4 asymmetrical elements – try on before applying glue
"please remember to remove the foil on both sides"

Container for tiles: Menorah, Pass and Automa components

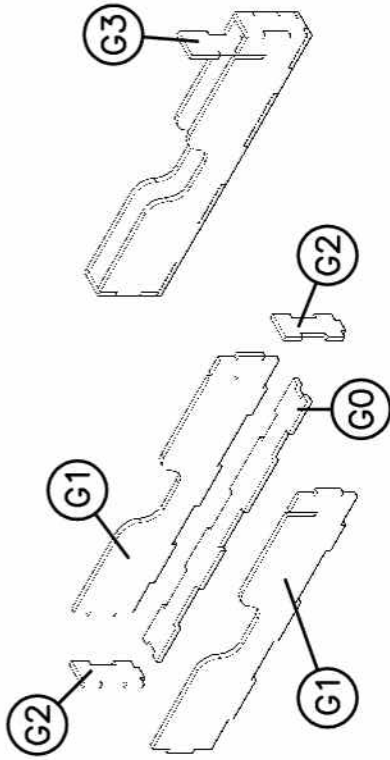
after gluing cover the container
with a plexiglass lid



"please remember to remove the foil on both sides"

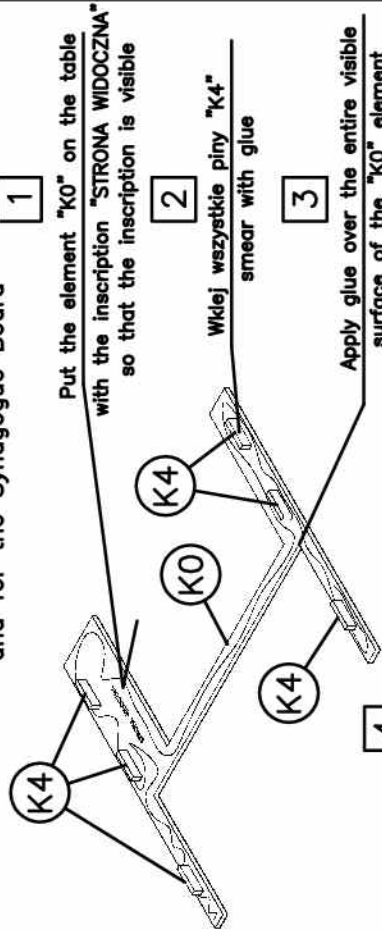
Manual of proper gluing of containers – GOLEM – part 2

Container for Study Development tiles and Resource track



G1 asymmetrical elements – try on before applying glue

Securing element for the Synagogue and for the Synagogue Board

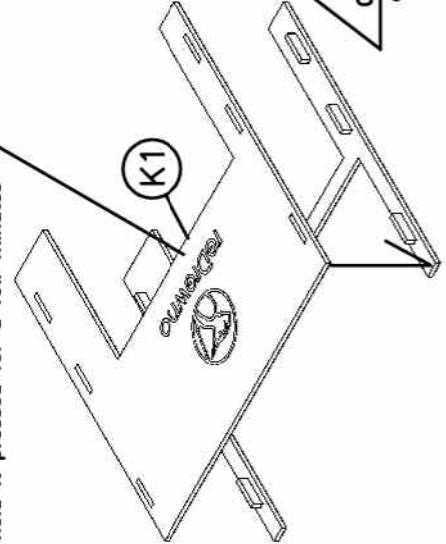


1 Put the element "K0" on the table with the inscription "STRONA WIDOCZNA" so that the inscription is visible

2 Wklej wszystkie piny "K4" smear with glue

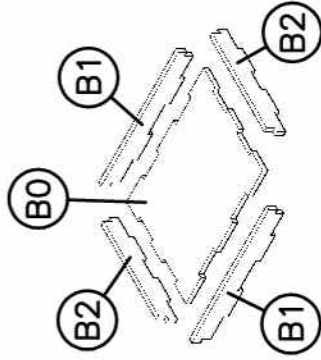
3 Apply glue over the entire visible surface of the "K0" element

4 Put the element "K1" and press it down hold it pressed for a few minutes

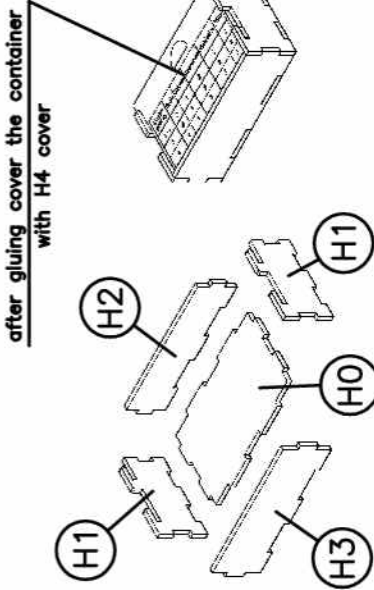


5 Cover the entire visible surface of the "K2" element with glue from the side shown above

Container for Gold pieces



Container for Marbles

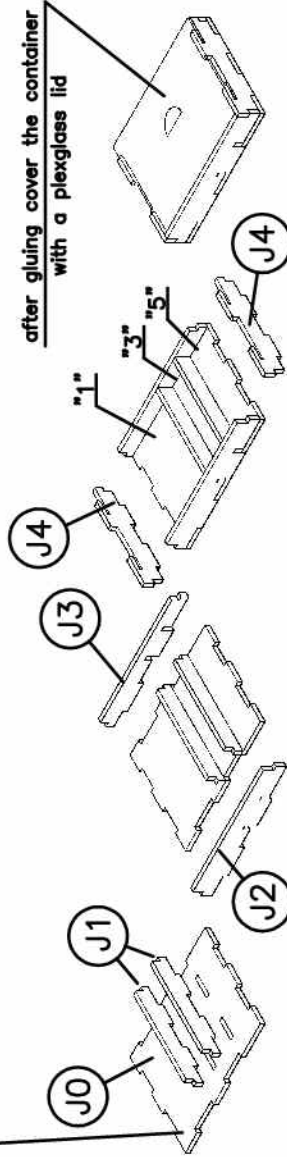


after gluing cover the container with H4 cover

H1, H2, H3 asymmetrical elements – try on before applying glue

Container for Knowledge tokens Container for Clay / Knowledge tokens by denomination

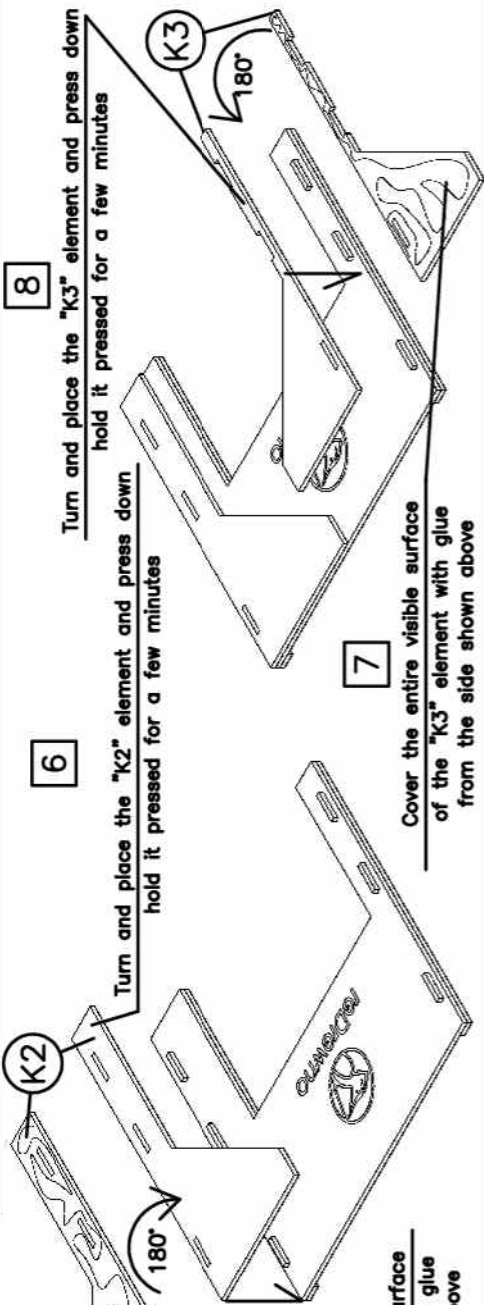
place the bottom J0 of box J as shown on the picture



after gluing cover the container with a plexiglass lid

"please remember to remove the foil on both sides"

J2, J3, J4 asymmetrical elements – try on before applying glue



6 Turn and place the "K2" element and press down hold it pressed for a few minutes

7 Cover the entire visible surface of the "K3" element with glue from the side shown above

8 Turn and place the "K3" element and press down hold it pressed for a few minutes

GOLEM - T1

K1

redwmo



B0

B1 B1

B2

B2

K4

K4

K4

K4

K4

K4

C1

C1

C1

C1

C3

C3

GOLEM - T2

STRONA WIDOCZNA

KO

A1

A1

A0

A2

A2

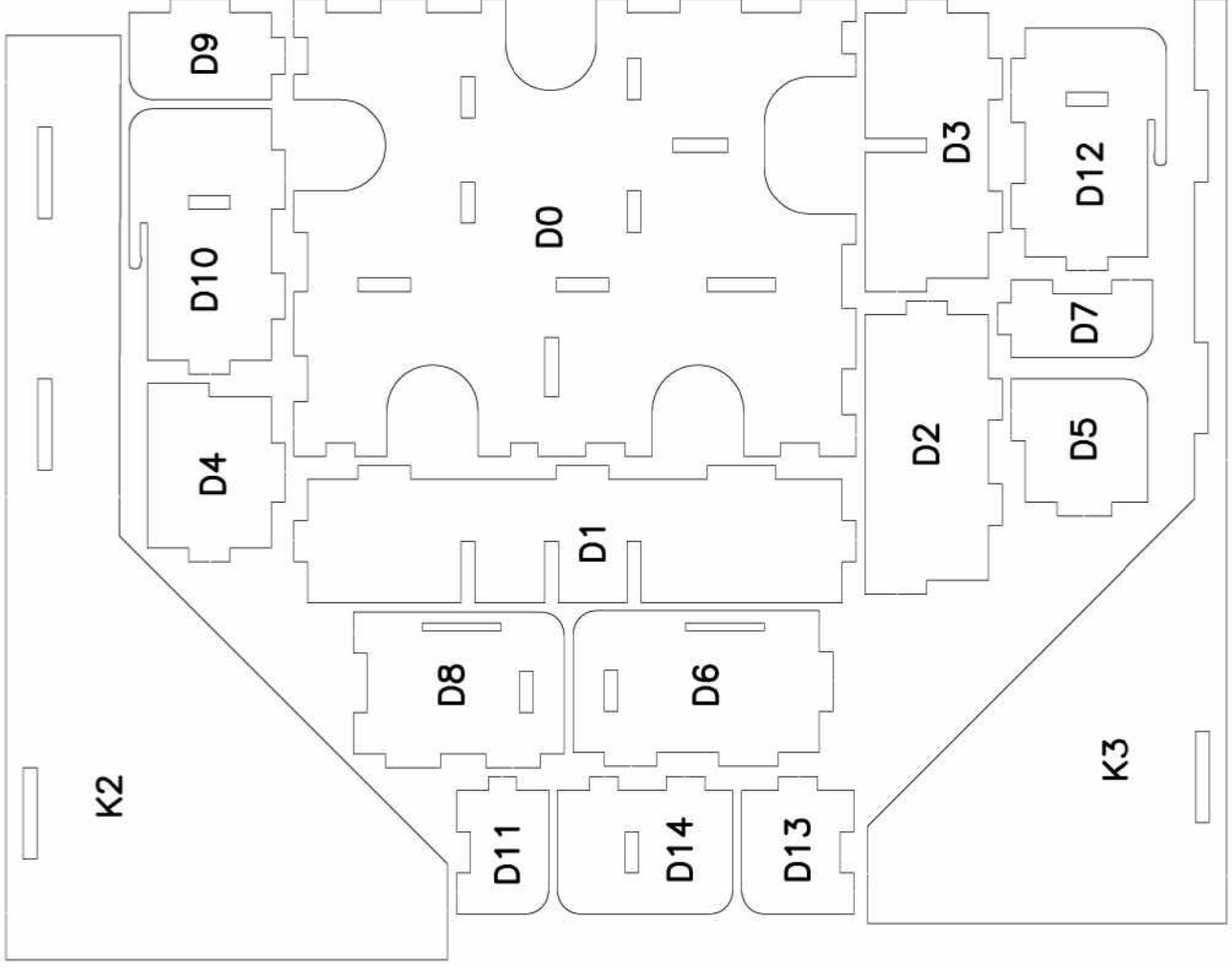
A3

A3

A3

A3

GOLEM - T3



GOLEM - T4

